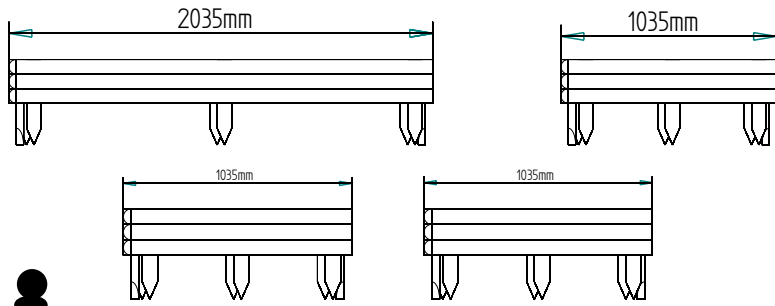


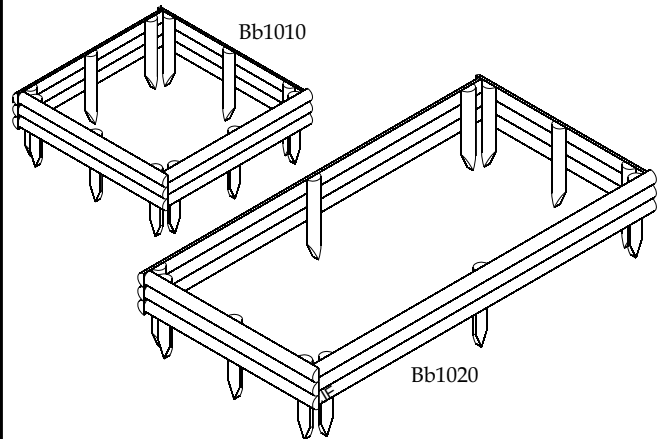
BED BUILDER

IMPORTANT, RETAIN FOR FUTURE REFERENCE: READ CAREFULLY.

0209

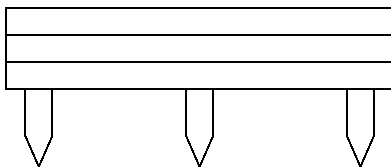


Assembly of this product only requires one person.

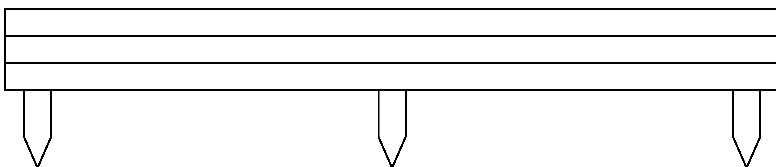


Thank you for choosing this product manufactured by the UK's largest manufacturer of timber garden products. In order to gain the most benefit from it, please note the following:

- Exercise particular care and follow instructions.
- This product is pressure treated to ensure longevity and to protect against rot. This may leave a colour difference on some parts that will even out as the moisture content stabilises.
- Please ensure that you thoroughly check all component parts for quantity and quality before you commence building the product. If there are any missing parts, please contact the help line as shown immediately. The manufacturer cannot be held liable for damaged items once any part of the product has been fitted or altered in any way (e.g. Painted)
- Timber is a natural material. It will shrink and swell as a result of varying moisture content.
- Please keep all plastic bags and small parts away from children in order to reduce the risk of suffocation.
- If there are any technical queries with the product, please contact our customer help line on 0844 248 9853 between the hours of 8.30 am and 5.00 pm Monday to Friday.



HLE100 (*Bb1010 QTY 4*)
(*Bb1020 QTY 2*)



HLE200 (*Bb1020 QTY 2*)

REQUIRED TOOLS : (NOT SUPPLIED)



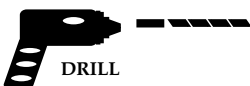
HAMMER



TAPE MEASURE



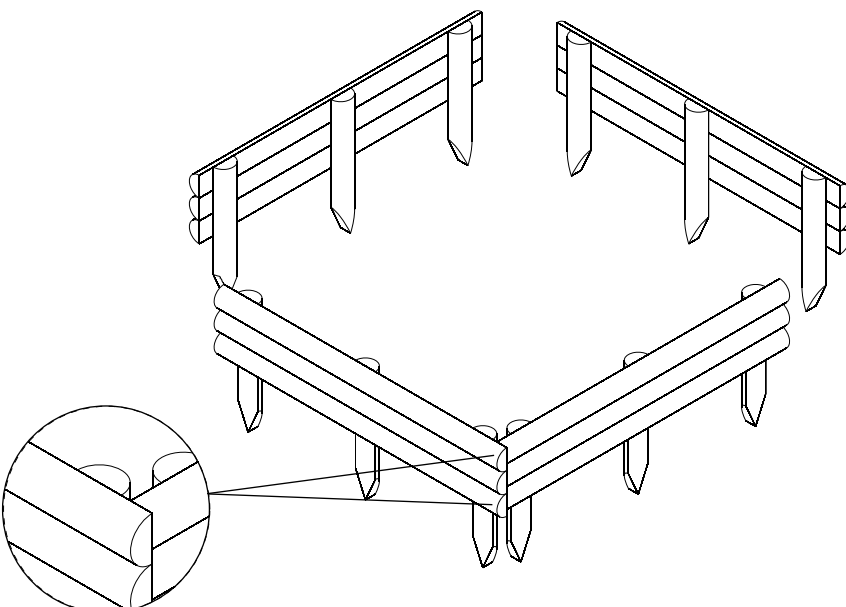
SPIRIT LEVEL



DRILL

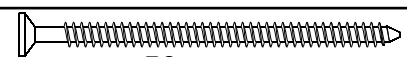


POZI DRIVE SCREWDRIVER



BBFP

8



50mm screw



Place the log sections together as shown. Secure these in place using 2x50mm screws. Position these in the top and bottom logs.

Make sure that you are screwing into the end of the other section.