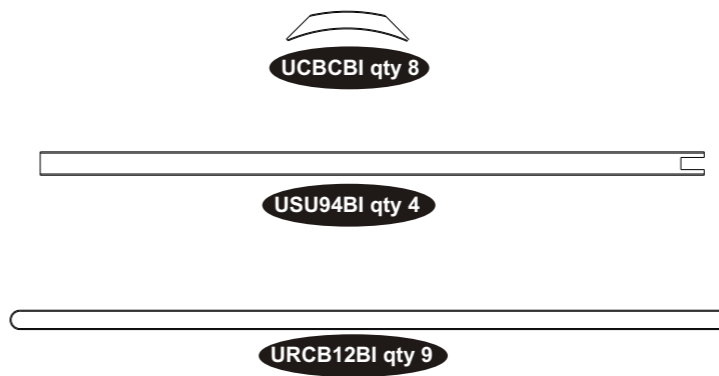


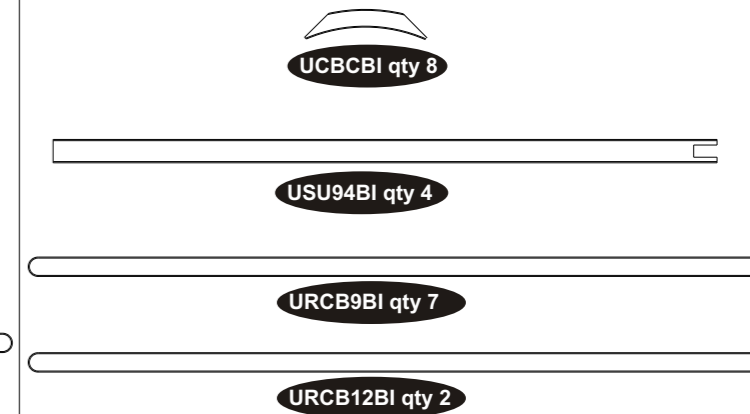
Thank you for choosing this Pergola manufactured by the UK's largest manufacturer of timber garden products. In order to gain the most benefit from it, please note the following:

- Exercise particular care and follow instructions.
- This product is pressure treated to ensure the longevity of all timber components and protect against rot. This may leave a colour difference on some parts that will even out as the moisture content stabilises. For extra protection from the elements we recommend that you treat your structure using a wood preservative treatment. Apply in accordance with the manufacturers instructions.
- Please ensure that you thoroughly check all component parts for quantity and quality before you commence building the product. If there are any missing parts, please contact the help line as shown immediately. The manufacturer cannot be held liable for damaged items once any part of the product has been fitted or altered in any way (e.g. Painted)
- Timber is a natural material. It will shrink and swell as a result of varying moisture content.
- Please keep all plastic bags and small parts away from children in order to reduce the risk of suffocation.
- Important Note : Do not lean or stand on rafters during assembly they are not load bearing.
- If there are any technical queries with the product, please contact our customer help line on 0844 248 9853 between the hours of 8.30 am and 5.00 pm Monday to Friday.

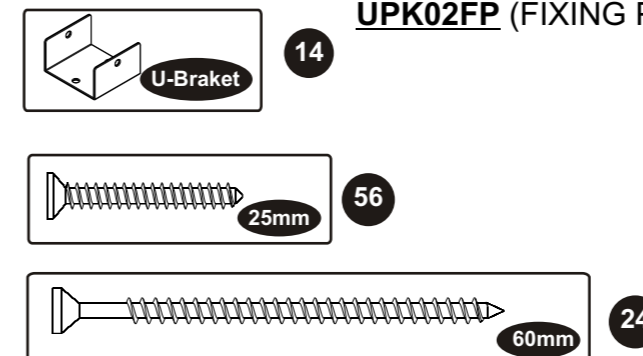
ULTIMA PERGOLA 10'x10' - UPK02 COMPONENTS INCLUDED



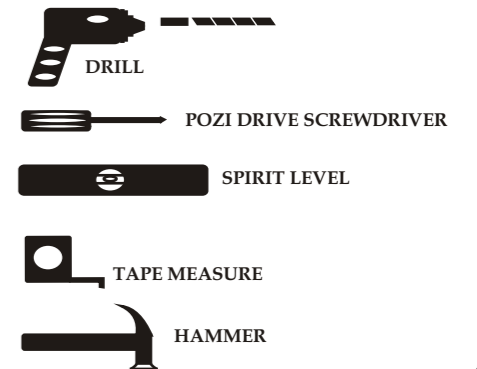
ULTIMA PERGOLA 10'x7' - UPK03 COMPONENTS INCLUDED



UPK02FP (FIXING PACK) CONTENTS



REQUIRED TOOLS : (NOT SUPPLIED)

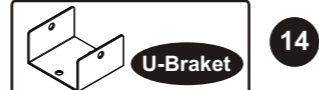
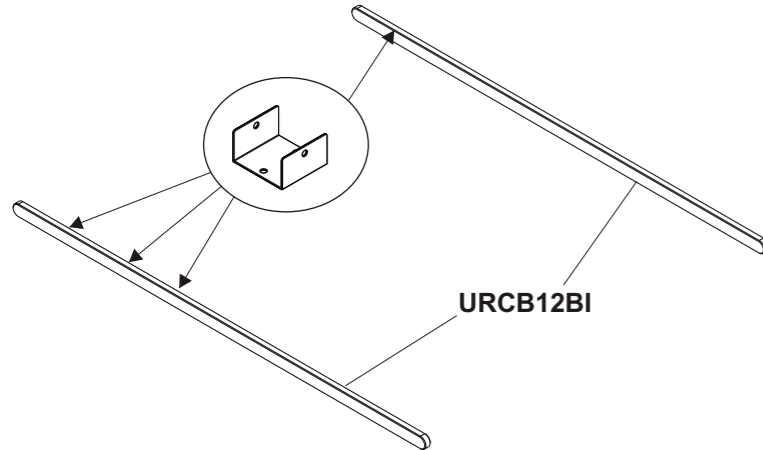


Forest Garden plc.
Units 291 & 296 Hartlebury Trading Estate
Hartlebury
Worcestershire
Dy10 4JB

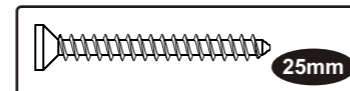
General Enquiries: 0870 191 9830
Customer Services: 0870 191 9801
E-mail: info@forestgarden.co.uk

www.forestgarden.co.uk

1



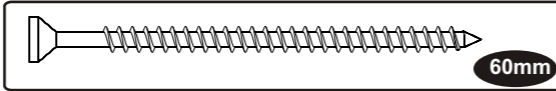
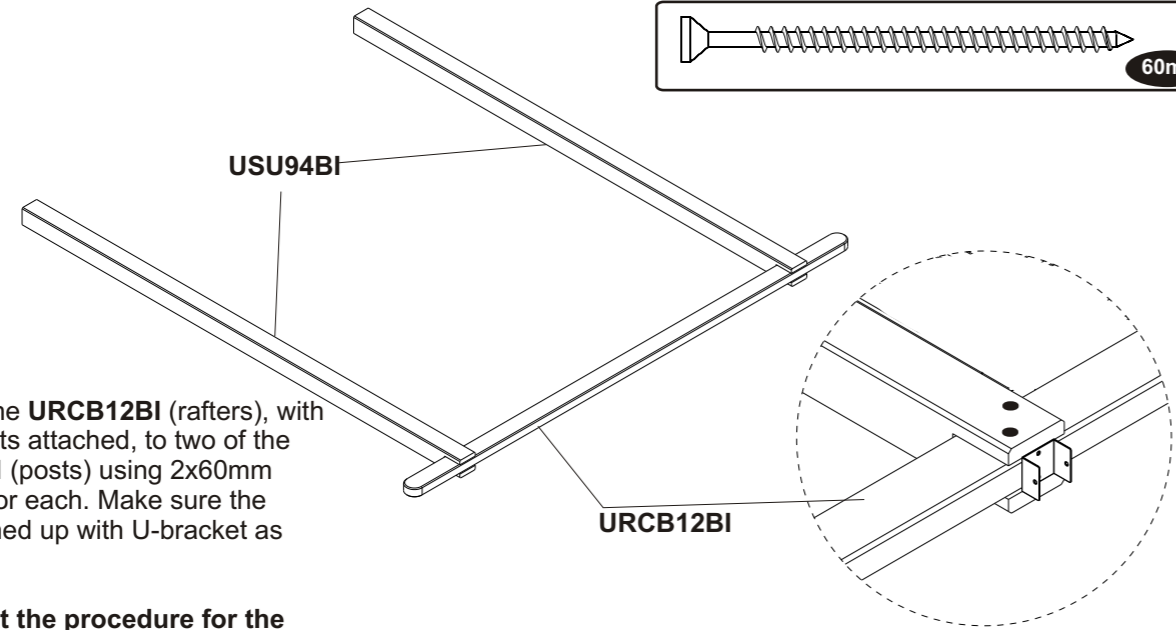
14



28

Space out the u-brackets evenly along the **URCB12BI** (rafters) at 445mm. Secure each in place using 2x25mm screws

2

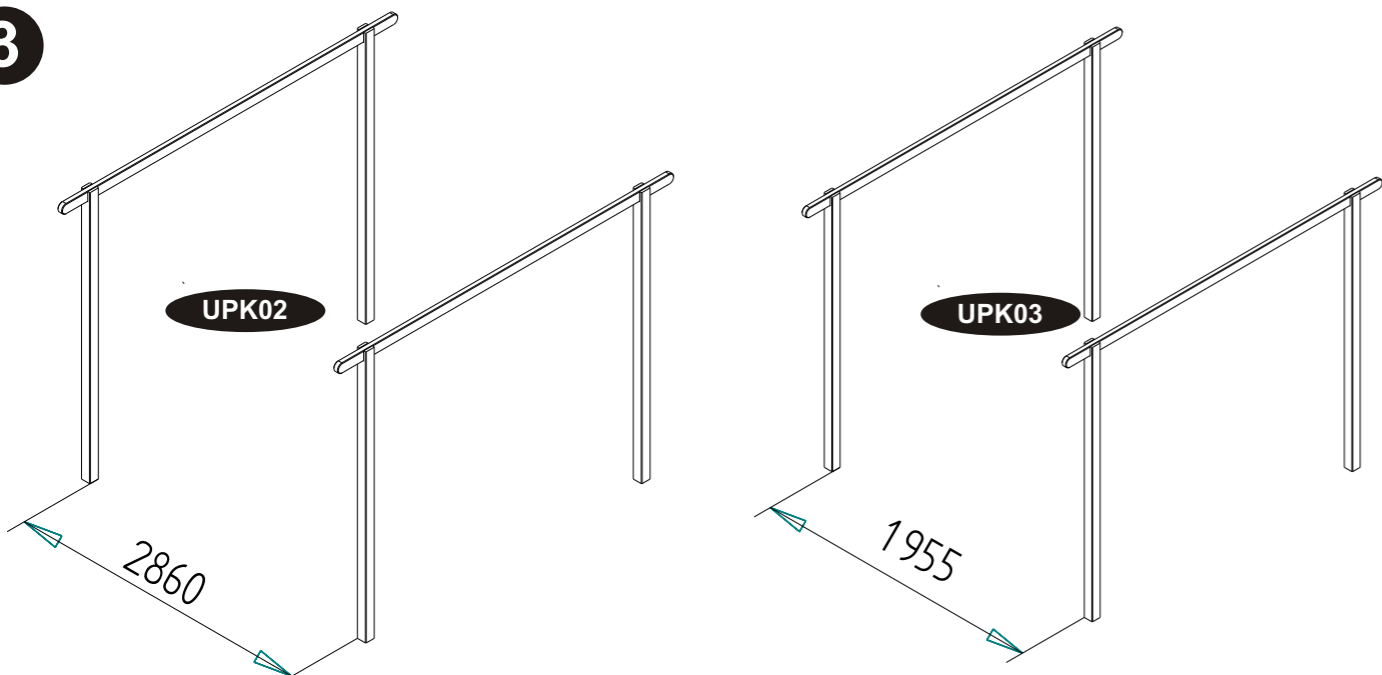


8

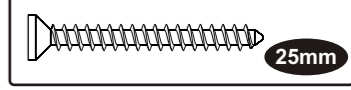
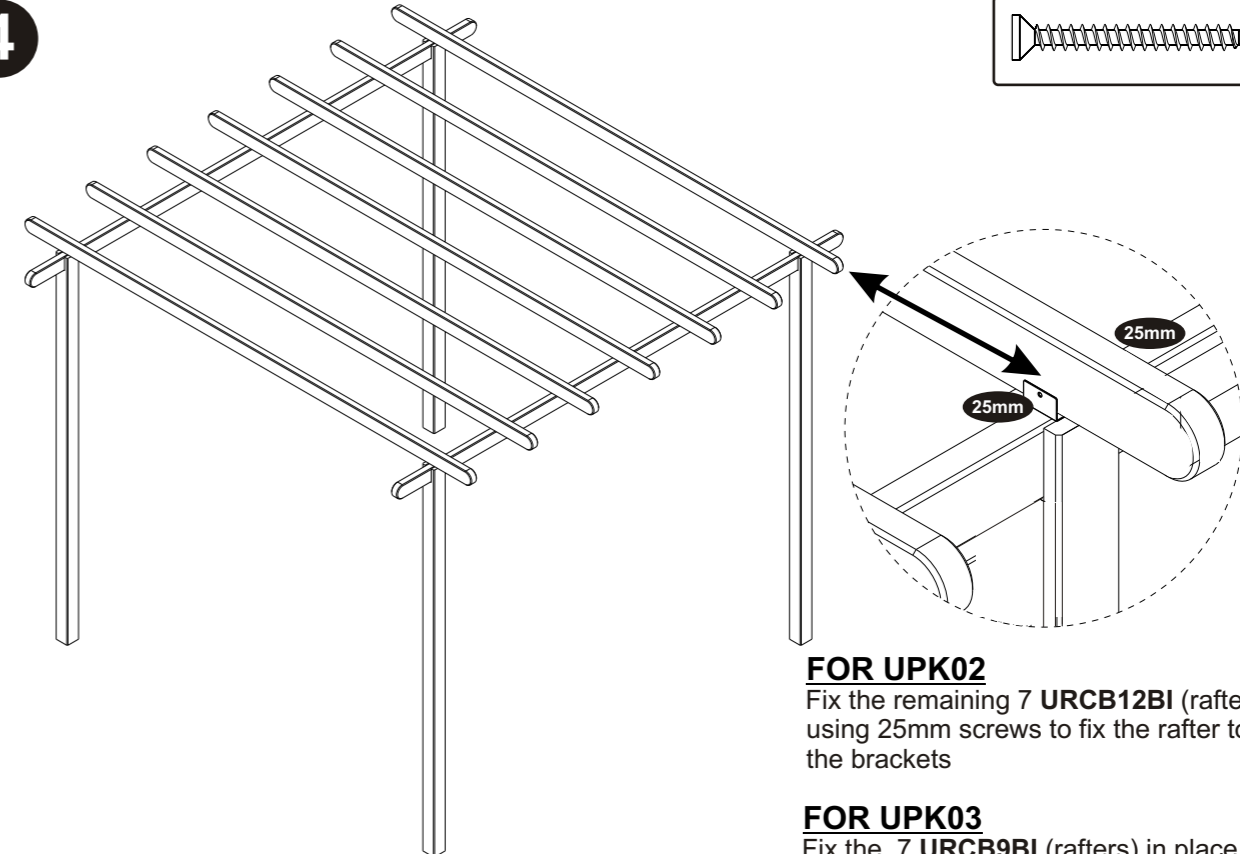
Secure the **URCB12BI** (rafters), with U-brackets attached, to two of the **USU94BI** (posts) using 2x60mm Screws for each. Make sure the post is lined up with U-bracket as shown

Repeat the procedure for the other rafter

3



4



0109

28

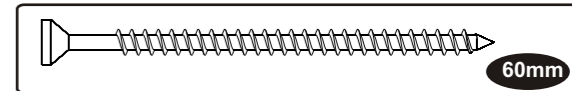
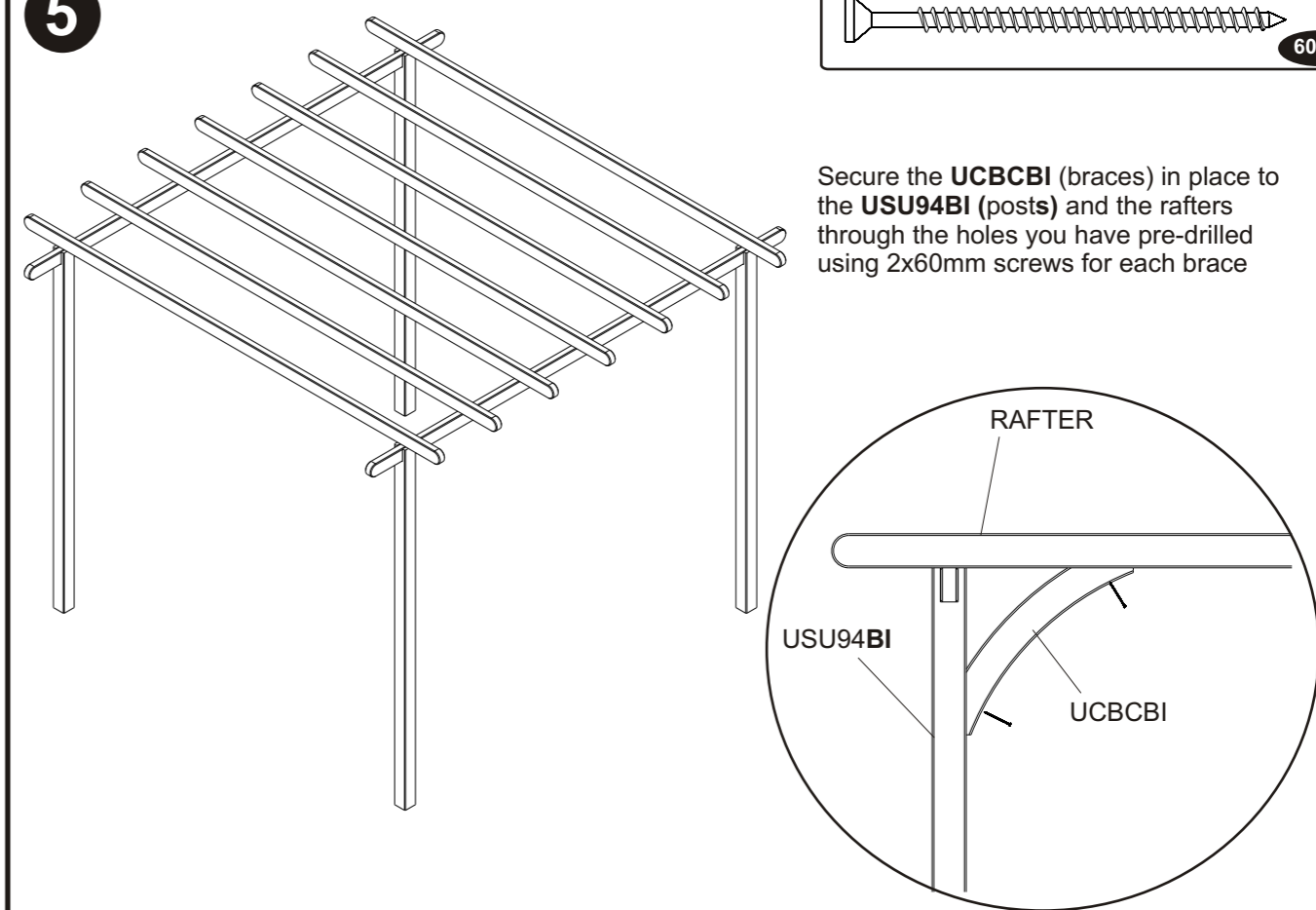
FOR UPK02

Fix the remaining 7 **URCB12BI** (rafters) in place using 25mm screws to fix the rafter to the brackets

FOR UPK03

Fix the 7 **URCB9BI** (rafters) in place using 25mm screws to fix the rafter to the brackets

5



16

Secure the **UCBCBI** (braces) in place to the **USU94BI** (posts) and the rafters through the holes you have pre-drilled using 2x60mm screws for each brace

